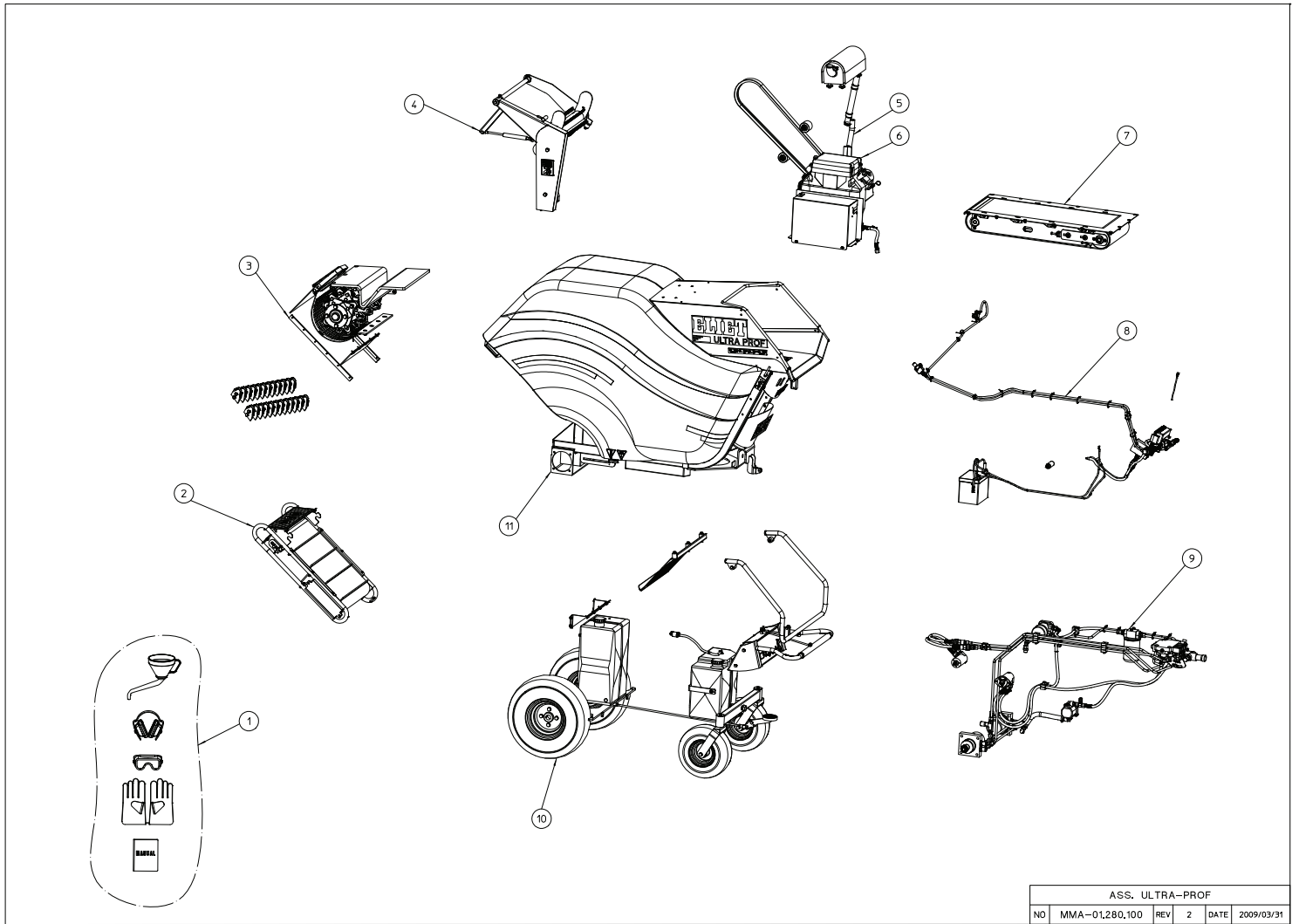




BIOTRITURATORE ELIET

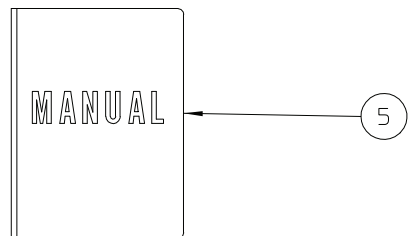
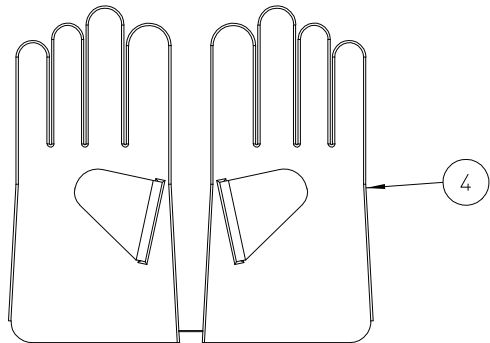
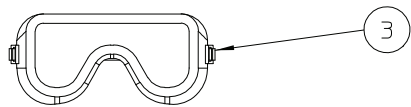
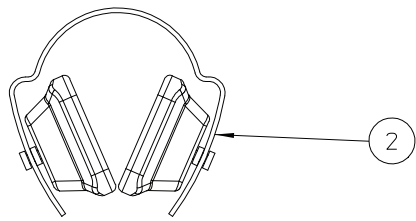
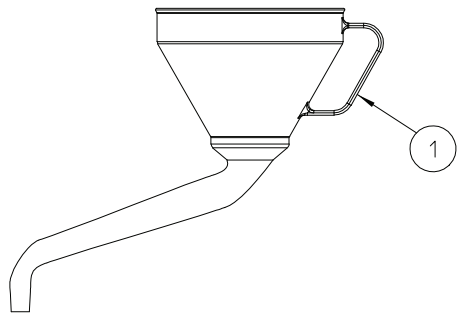
ULTRAPROF 2007

ESPLOSO RICAMBI



| ASS. ULTRA-PROF | | | | | |
|-----------------|---------------|-----|---|------|------------|
| NO | MMA-01280,100 | REV | Z | DATE | 2009/03/31 |

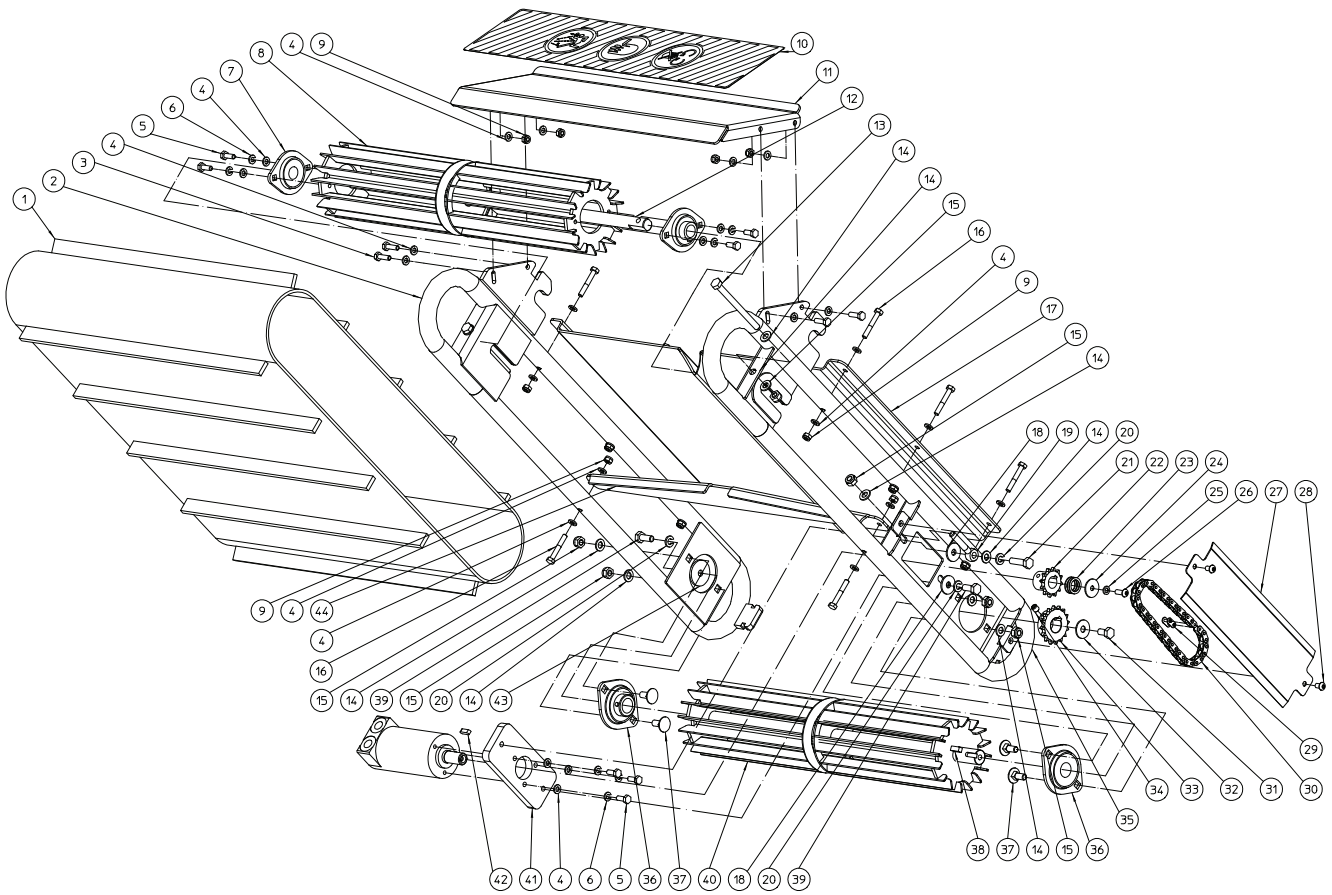
| # | Order nr | Description | # |
|----|----------------|-------------------------|---|
| 1 | MMA 01 280 240 | ACCESSORIES | 1 |
| 2 | MMA 01 280 140 | CONVEYOR BELT | 1 |
| 3 | MMA 01 280 130 | ROTOR | 1 |
| 4 | MMA 01 280 120 | IN FEED ROLLER | 1 |
| 5 | MMA 01 280 150 | ENGINE HONDA | 1 |
| 6 | MMA 01 280 151 | ENGINE B&S | 1 |
| 7 | MMA 01 280 110 | FEEDING CONVEYOR | 1 |
| 8 | MMA 01 280 190 | ELECTRICS | 1 |
| 9 | MMA 01 280 180 | HYDRAULICS | 1 |
| 10 | MMA 01 280 160 | DRIVE, TANK, CONTROLLER | 1 |
| 11 | MMA 01 280 170 | CHASSIS, SIDE COVERS | 1 |



ELIET ULTRA-PROF -- ACCESSORIES

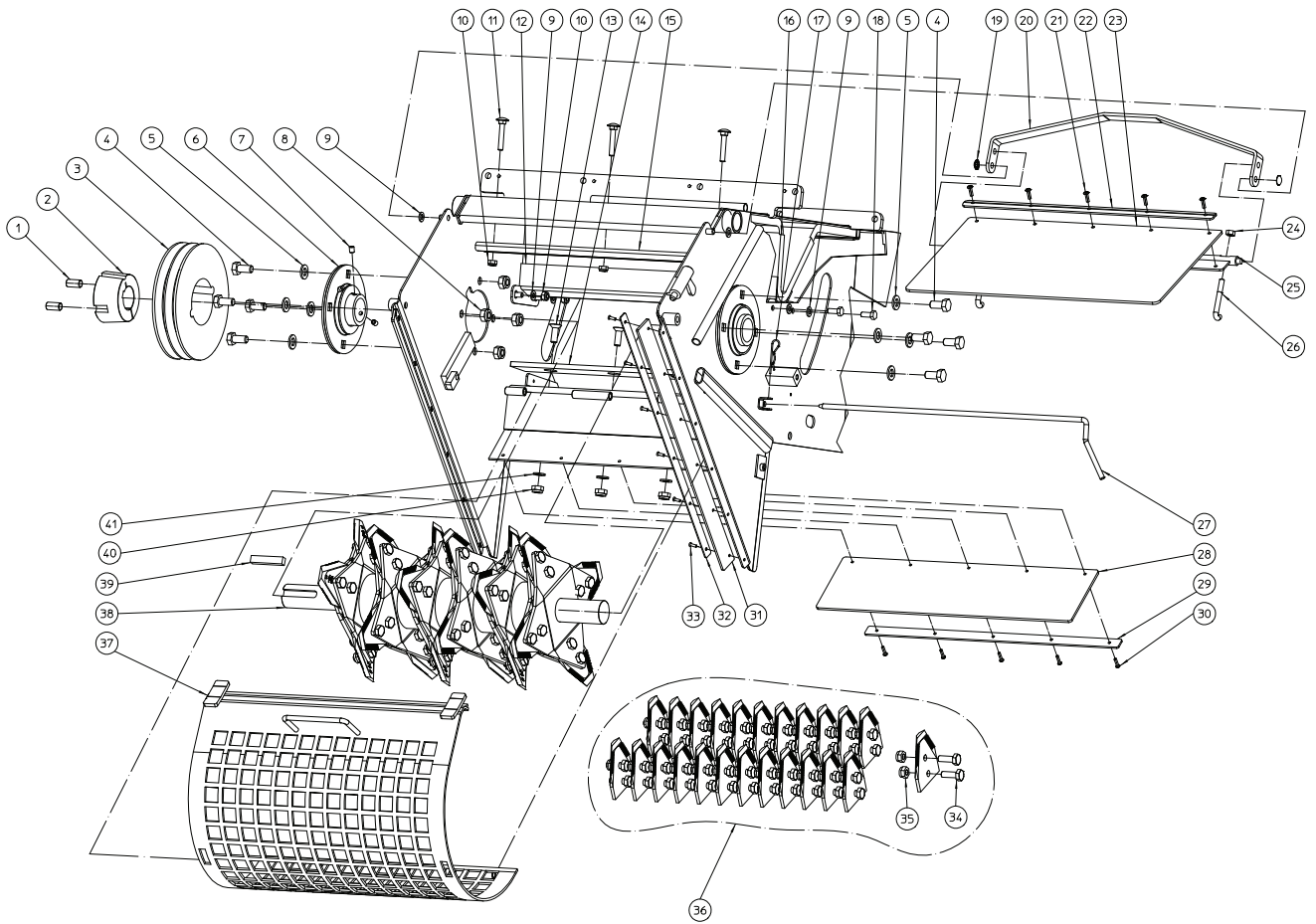
| | | | | | |
|----|----------------|-----|---|------|------------|
| NO | MMA-01.280.240 | REV | 1 | DATE | 2009/03/31 |
|----|----------------|-----|---|------|------------|

| # | Order nr | Description | # |
|---|----------------|--------------------|---|
| 1 | BG 900 010 502 | FUNNEL | 1 |
| 2 | BQ 700 050 000 | HEARING PROTECTORS | 1 |
| 3 | BQ 720 050 000 | GOGGLES | 1 |
| 4 | BQ 710 050 000 | GLOVES | 1 |
| 5 | BZ 201 280 010 | MANUAL ULTRA PROF | 1 |



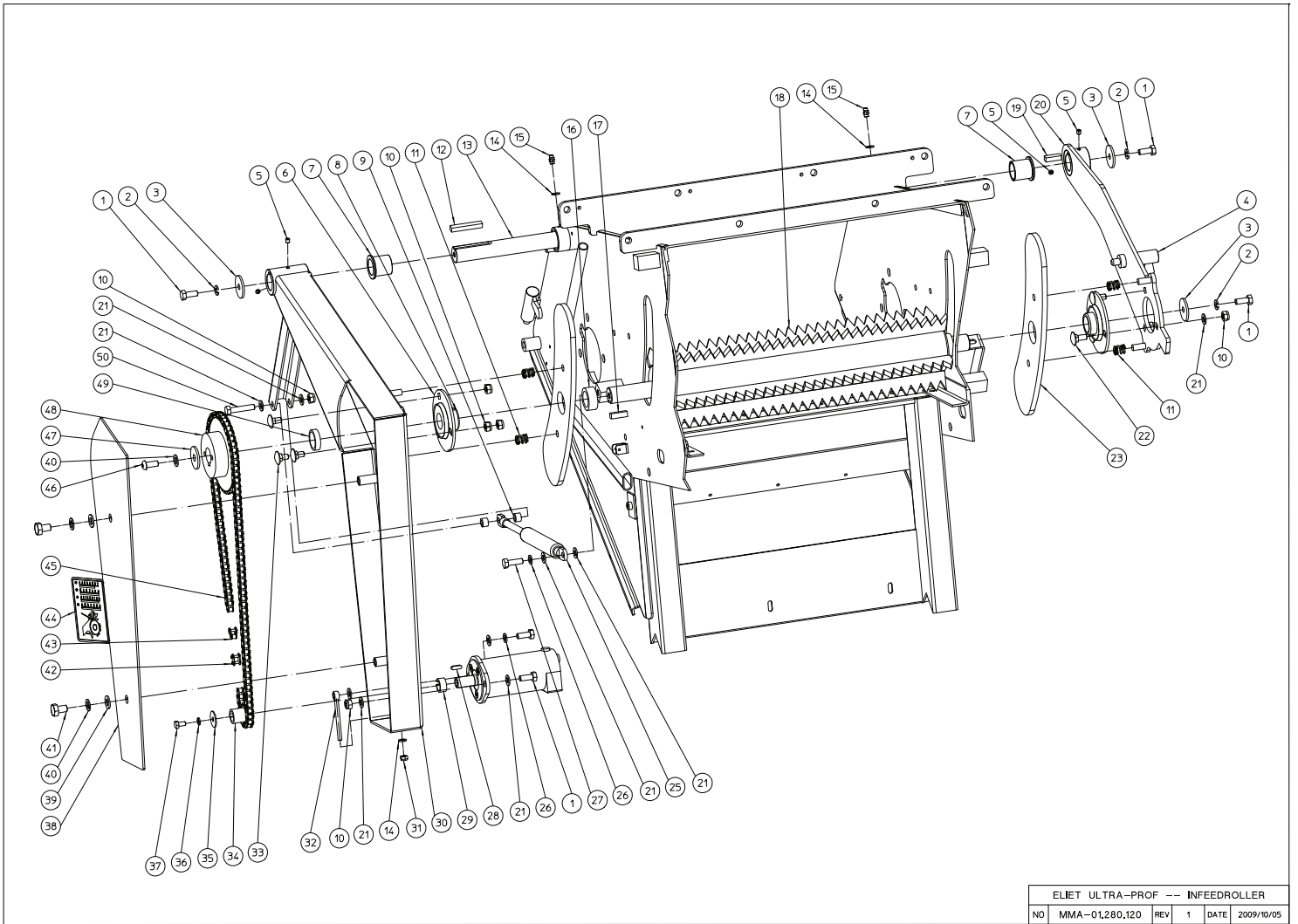
| ELIET ULTRA-PROF -- CONVEYOR BELT | | | | |
|-----------------------------------|----------------|-----|---|-----------------|
| NO | MMA-01,280,140 | REV | 1 | DATE 2009/10/12 |

| # | Order nr | Description | # |
|----|----------------|--|----|
| 1 | BY 431 149 132 | CONVEYER ULTRA PROF | 1 |
| 2 | MPA 01 280 110 | RIGHT SIDE CONVEYOR 2 | 1 |
| 3 | BS 512 000 620 | BOLT M6X20 DIN 933 | 4 |
| 4 | BS 531 000 600 | WASHER M6 DIN 125 | 31 |
| 5 | BS 512 000 616 | BOLT M6X16 DIN 933 | 7 |
| 6 | BS 533 000 600 | LOCK WASHER M6 DIN 127B | 7 |
| 7 | BL 801 101 700 | BEARING + FLANGES ASPFL 203 | 2 |
| 8 | MPA 01 280 320 | LOOSE ROLLER CONVEYOR BACK | 1 |
| 9 | BS 502 000 600 | SELF LOCKING NUT M6 DIN 985 | 12 |
| 10 | BQ 505 010 350 | SAFETY STICKER 500X120 (HAND CUTS) | 1 |
| 11 | MPA 01 280 810 | GUIDE PLATE BACK | 1 |
| 12 | MPA 01 280 330 | AXLE LOOSE ROLLER | 1 |
| 13 | BS 512 000 850 | BOLT M8X100 DIN 933 | 2 |
| 14 | BS 531 000 800 | WASHER M8 DIN 125 | 10 |
| 15 | BS 502 000 800 | SELF LOCKING NUT M8 DIN 985 | 7 |
| 16 | BS 511 000 640 | BOLT M6X40 DIN 931 | 8 |
| 17 | MPA 01 280 580 | REINFORCEMENT PLATE CONVEYOR BELT | 1 |
| 18 | BS 532 008 254 | WASHER M8X25X2 | 2 |
| 19 | BS 551 000 842 | EYE BOLT M8X50 DIN 444 | 1 |
| 20 | BS 533 000 800 | LOCK WASHER M8 DIN 127B | 3 |
| 21 | BS 512 000 830 | BOLT M8X30 DIN 933 | 1 |
| 22 | BA 161 012 161 | SPROCKET SIMPLEX 3/8"X7/32" 12T | 1 |
| 23 | BS 036 001 610 | PRECISION WASHER 22X16X1 | 3 |
| 24 | BS 532 006 253 | WASHER M6X25X1.5 | 1 |
| 25 | BS 534 000 600 | LOCK WASHER M6 DIN 6798A | 1 |
| 26 | BS 522 500 616 | SCREW M6X16 ISO 7380 | 1 |
| 27 | MPA 01 280 590 | CHAIN PROTECTION | 1 |
| 28 | BS 522 500 610 | SCREW M6X10 ISO 7380 | 2 |
| 29 | BA 151 200 000 | CONNECTING CHAIN LINK SIMPLEX 3/8"X7/32" | 1 |
| 30 | BA 101 039 020 | CHAIN SIMPLEX 3/8"X7/32" 39L | 1 |
| 31 | BS 512 000 816 | BOLT M8X16 DIN 933 | 1 |
| 32 | BS 532 008 253 | WASHER M8X25X1.5 | 1 |
| 33 | BA 161 016 201 | SPROCKET SIMPLEX 3/8"X7/32" 16T | 1 |
| 34 | BS 023 000 808 | SET SCREW M8X8 DIN 916 | 1 |
| 35 | MPA 01 280 120 | LEFT SIDE CONVEYOR 2 | 1 |
| 36 | BL 801 102 001 | BEARING + FLANGES ASPFL 204 | 2 |
| 37 | BS 554 100 820 | BOLT M8X20 DIN 603 | 4 |
| 38 | BB 341 060 615 | KEY 6X6X15 DIN 6880 | 1 |
| 39 | BS 512 000 820 | BOLT M8X20 DIN 933 | 2 |
| 40 | MPA 01 280 310 | CONVEYOR | 1 |
| 41 | MPA 01 280 570 | FIXATION MOTOR CONVEYOR | 1 |
| 42 | BB 341 050 516 | KEY 5X5X16 DIN 6880 | 1 |
| 43 | BS 532 008 356 | WASHER M8X35X3 | 1 |
| 44 | MPA 01 280 550 | SCRAPER | 1 |



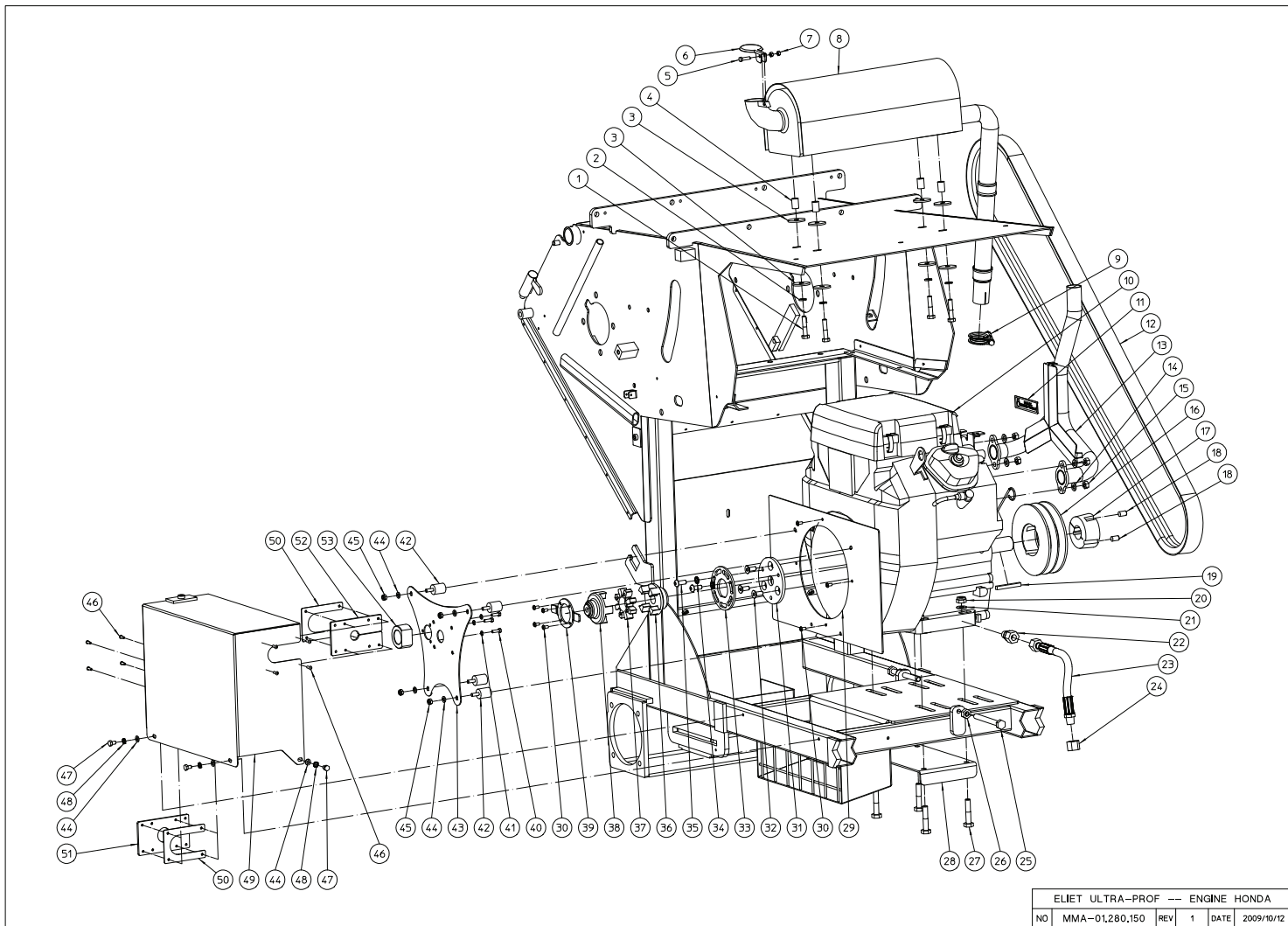
| ELIET ULTRA-PROF -- ROTOR | | | | |
|---------------------------|----------------|-----|---|------------|
| NO | MMA-01.280.130 | REV | 1 | DATE |
| | | | | 2009/10/05 |

| # | Order nr | Description | # |
|----|----------------|--|----|
| 1 | BB 501 313 250 | SET SCREW 1/2"X1" | 2 |
| 2 | BB 501 164 000 | TAPER LOCK TL 2517-40 | 1 |
| 3 | BA 563 719 020 | PULLEY SPB II 190 FOR TAPER LOCK TL 2517 | 1 |
| 4 | BS 512 001 225 | BOLT M12X25 DIN 933 | 8 |
| 5 | BS 531 001 200 | WASHER M12 DIN 125 | 8 |
| 6 | BL 801 604 001 | KIT BEARING UCPF 208 COMPLETE | 2 |
| 7 | BS 023 000 810 | SET SCREW M8X10 DIN 916 | 4 |
| 8 | BS 502 001 200 | SELF LOCKING NUT M12 DIN 985 | 8 |
| 9 | BS 531 000 800 | WASHER M8 DIN 125 | 10 |
| 10 | BS 502 000 800 | SELF LOCKING NUT M8 DIN 985 | 7 |
| 11 | BS 554 100 842 | BOLT M8X50 DIN 603 | 3 |
| 12 | MPA 01 070 320 | U - SUPPORT RUBBER | 1 |
| 13 | BS 522 101 030 | SCREW M10X30 DIN 7991 | 4 |
| 14 | MPA 01 070 180 | FIXATION PROFILE | 1 |
| 15 | MPA 01 280 560 | U - SUPPORT RUBBER | 1 |
| 16 | BR 900 001 140 | RUBBER SILENCER PLATE | 1 |
| 17 | BB 040 102 040 | HAIRPIN COTTER 2MM DIN 11024 | 1 |
| 18 | BS 512 000 820 | BOLT M8X20 DIN 933 | 4 |
| 19 | BB 011 000 080 | STARLOCK 8MM | 2 |
| 20 | MPA 01 070 020 | HANDLE LOCKING GRID | 1 |
| 21 | BB 221 105 160 | POP PLUG ALU 4.8X16 DIN 7337 A | 5 |
| 22 | MPA 01 280 800 | FIXATION RUBBER PROTECTION | 1 |
| 23 | BR 900 001 370 | RUBBER ANTI PROJECTION FLAP | 1 |
| 24 | BS 501 000 800 | NUT M8 DIN 934 | 2 |
| 25 | MPA 01 280 400 | AXLE CLOSING GRATING | 1 |
| 26 | MPA 01 070 400 | HOOK FOR RAPID FASTENER | 2 |
| 27 | MPA 01 070 210 | AXLE GRATING | 1 |
| 28 | BR 900 001 340 | RUBBER ANTI PROJECTION FLAP | 1 |
| 29 | MPA 01 280 520 | FIXATION PROFILE RUBBER | 1 |
| 30 | BB 221 104 160 | POP PLUG ALU 3.9X16 DIN 7337 A | 5 |
| 31 | BR 900 001 330 | RUBBER ANTI PROJECTION FLAP | 2 |
| 32 | MPA 01 280 530 | FIXATION PROFILE RUBBER | 2 |
| 33 | BB 222 104 120 | POP PLUG ALU 3.9X12 DIN 7337 B | 12 |
| 34 | BS 012 401 030 | BOLT M10X1,5X30 Gr.10 DIN 961 | 0 |
| 35 | BS 502 001 011 | SELF LOCKING NUT M10X1.25 Gr.10 DIN 985 | 0 |
| 36 | BU 401 301 000 | SET OF KNIVES RESIST (24) | 1 |
| 37 | MPA 01 280 150 | CALIBRATING GRATING | 1 |
| 38 | MPA 01 280 080 | ROTOR | 1 |
| 39 | BB 341 121 060 | KEY 12X10X60 DIN 6880 | 1 |
| 40 | BS 502 001 000 | SELF LOCKING NUT M10 DIN 985 | 4 |
| 41 | BS 531 001 000 | WASHER M10 DIN 125 | 4 |



| ELIET ULTRA-PROF -- INFEEEDROLLER | | | | |
|-----------------------------------|---------------|-----|---|------------|
| NO | MMA-01280,120 | REV | 1 | DATE |
| | | | | 2009/10/05 |

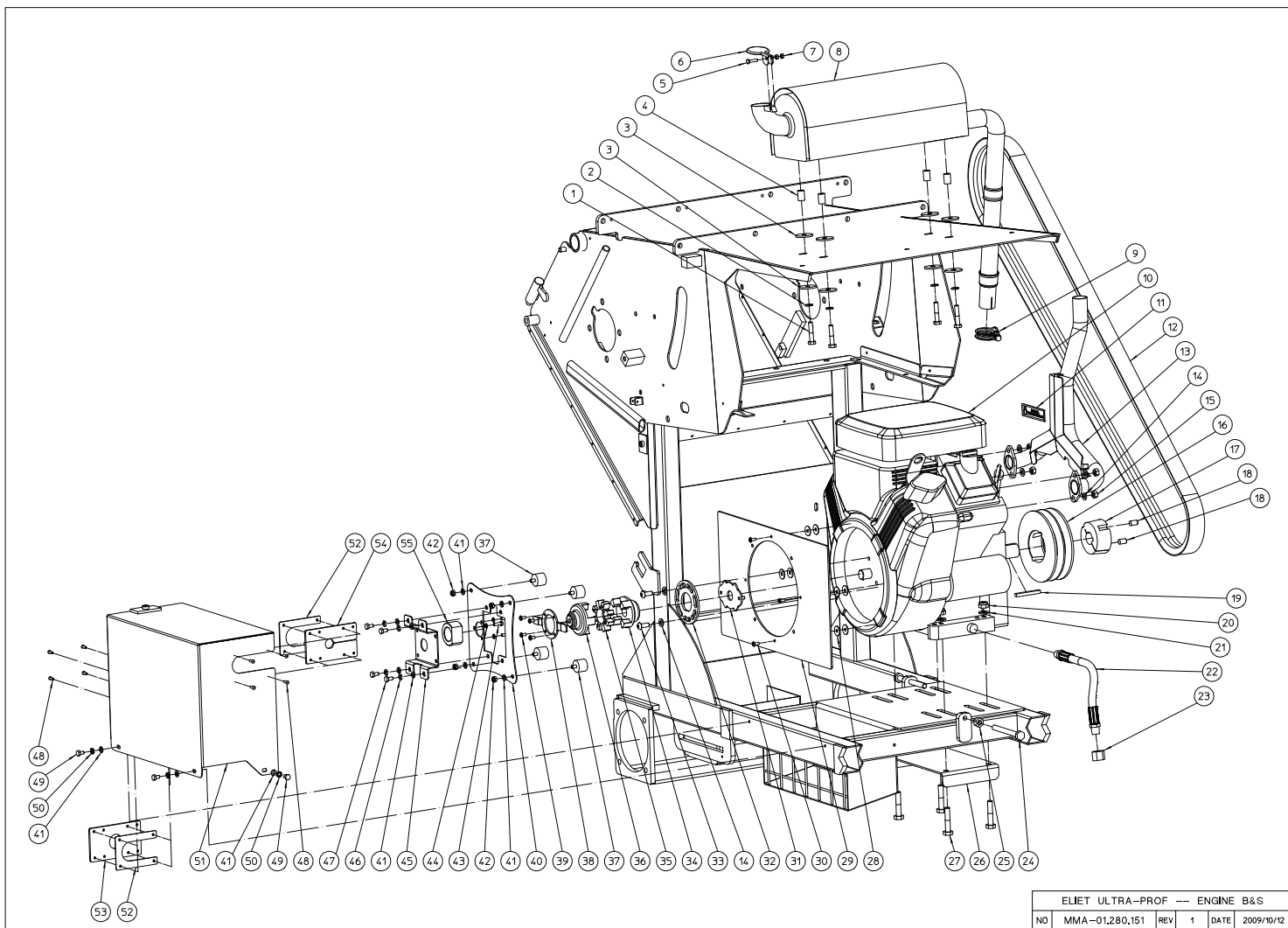
| # | Order nr | Description | # |
|----|----------------|--|----|
| 1 | BS 512 000 820 | BOLT M8X20 DIN 933 | 7 |
| 2 | BS 533 000 800 | LOCK WASHER M8 DIN 127B | 5 |
| 3 | BS 532 008 356 | WASHER M8X35X3 | 3 |
| 4 | BO 100 010 100 | PULL-LOCK WITH WING HANDLE 10MM | 0 |
| 5 | BS 023 000 606 | SET SCREW M6X6 DIN 916 | 4 |
| 6 | BL 711 502 500 | FLANGES PF 205 | 2 |
| 7 | BR 112 253 000 | NYLON BUSHING WITH COLLAR (25/30/37x27.5/2.5) | 2 |
| 8 | BL 512 505 203 | BEARING AS 205 | 2 |
| 9 | MPA 01 070 420 | BUSHING | 2 |
| 10 | BS 502 000 800 | SELF LOCKING NUT M8 DIN 985 | 8 |
| 11 | BV 911 000 010 | SPRING 14X2X16 | 4 |
| 12 | BB 341 080 750 | KEY 8X7X50 DIN 6880 | 1 |
| 13 | MPA 01 280 830 | AXLE IN FEED ROLLER | 1 |
| 14 | BS 531 000 600 | WASHER M6 DIN 125 | 3 |
| 15 | BY 100 106 100 | GREASE FITTING M6 DIN 71412 | 2 |
| 16 | MPA 01 280 840 | BUSHING IN FEED ROLLER | 2 |
| 17 | BB 341 080 826 | KEY 8X8X26 DIN 6880 | 1 |
| 18 | MPA 01 280 060 | IN FEED ROLLER | 1 |
| 19 | BB 341 080 725 | KEY 8X7X25 DIN 6880 | 1 |
| 20 | MPA 01 280 020 | ARM IN FEED ROLLER RIGHT | 1 |
| 21 | BS 531 000 800 | WASHER M8 DIN 125 | 12 |
| 22 | BS 554 100 820 | BOLT M8X20 DIN 603 | 3 |
| 23 | BR 910 000 260 | NYLON COVER ULTRA PROF | 2 |
| 25 | BV 521 010 001 | GAS STRUTS 500N X 100MM | 1 |
| 26 | BS 534 000 800 | LOCK WASHER M8 DIN 6798A | 2 |
| 27 | BS 512 000 825 | BOLT M8X25 DIN 933 | 1 |
| 28 | BB 351 050 516 | KEY 5X5X16 DIN 6885A | 1 |
| 29 | MPA 01 070 430 | SPACER RING | 1 |
| 30 | MPA 01 280 030 | ARM IN FEED ROLLER LEFT | 1 |
| 31 | BS 502 000 600 | SELF LOCKING NUT M6 DIN 985 | 1 |
| 32 | BS 551 100 646 | EYE BOLT M6X70 DIN 444 | 1 |
| 33 | BS 554 100 816 | BOLT M8X16 DIN 603 | 3 |
| 34 | BA 161 011 163 | SPROCKET SIMPLEX 3/8"X7/32" 11T | 1 |
| 35 | BS 532 006 253 | WASHER M6X25X1.5 | 1 |
| 36 | BS 534 000 600 | LOCK WASHER M6 DIN 6798A | 1 |
| 37 | BS 512 000 612 | BOLT M6X12 DIN 933 | 1 |
| 38 | MPA 01 280 040 | CHAIN PROTECTION | 1 |
| 39 | BS 531 001 000 | WASHER M10 DIN 125 | 2 |
| 40 | BS 534 001 000 | LOCK WASHER M10 DIN 6798A | 3 |
| 41 | BS 512 001 016 | BOLT M10X16 DIN 933 | 2 |
| 42 | BA 151 200 000 | CONNECTING CHAIN LINK SIMPLEX 3/8"X7/32" | 1 |
| 43 | BA 151 400 000 | CONNECTING CHAIN LINK SIMPLEX (1/2) 3/8"X7/32" | 1 |
| 44 | BQ 505 010 130 | SAFETY STICKER 100X80 (BELT TRANSMISSION) | 1 |
| 45 | BA 101 109 020 | CHAIN SIMPLEX 3/8"X7/32" 109L | 1 |
| 46 | BS 522 500 820 | SCREW M8X20 ISO 7380 | 1 |
| 47 | BS 532 010 356 | WASHER M10X35X3 | 1 |
| 48 | BA 161 040 251 | SPROCKET SIMPLEX 3/8"X7/32" 40T | 1 |
| 49 | MPA 01 070 440 | SPACER RING | 1 |
| 50 | BS 512 000 840 | BOLT M8X40 DIN 933 | 1 |



| ELIET ULTRA-PROF -- ENGINE HONDA | | | | |
|----------------------------------|---------------|-----|---|-----------------|
| NO | MMA-01280,150 | REV | 1 | DATE 2009/10/12 |

| # | Order nr | Description | # |
|----|----------------|---|---|
| 1 | BS 511 000 840 | BOLT M8X40 DIN 931 | 4 |
| 2 | BS 533 000 800 | LOCK WASHER M8 DIN 127B | 4 |
| 3 | BS 532 008 356 | WASHER M8X35X3 | 8 |
| 4 | MPA 01 280 546 | SPACER MUFFLER | 4 |
| 5 | BS 512 000 520 | BOLT M5X20 DIN 933 | 1 |
| 6 | MPA 01 280 780 | FLAP MUFFLER | 1 |
| 7 | BS 501 000 500 | NUT M5 DIN 934 | 2 |
| 8 | BM 261 300 601 | MUFFLER FINNKAT | 1 |
| 9 | BT 670 330 300 | EXHAUST PIPE CLAMP RT33 1.5 AWAB | 1 |
| 10 | BM 202 124 000 | HONDA GX 670 | 1 |
| 11 | BQ 505 010 030 | STICKER MAX 3200 RPM 90X25 | 1 |
| 12 | BA 521 322 820 | BELT XPB 2280/2 | 1 |
| 13 | MPA 01 280 350 | CONNECTOR MUFFLER HONDA | 1 |
| 14 | BS 531 000 800 | WASHER M8 DIN 125 | 4 |
| 15 | BS 501 000 800 | NUT M8 DIN 934 | 4 |
| 16 | BA 563 714 020 | PULLEY SPB II 140 FOR TAPER LOCK TL1610 | 1 |
| 17 | BB 501 251 700 | TAPER LOCK TL 2012-1"1/8 | 1 |
| 18 | BB 501 310 160 | SET SCREW 3/8"X5/8" | 2 |
| 19 | BB 342 060 657 | KEY 6.35X6.35X57 DIN 6880 | 1 |
| 20 | BS 502 001 000 | SELF LOCKING NUT M10 DIN 985 | 4 |
| 21 | BS 531 001 000 | WASHER M10 DIN 125 | 4 |
| 22 | BH 509 221 214 | MALE STUD COUPLING 12LxM14 | 1 |
| 23 | BH 551 060 220 | FLEXIBLE HYDRAULIC HOSE 3/8"x220 | 1 |
| 24 | BT 174 150 600 | TERMINAL NUT 3/8" | 1 |
| 25 | BS 512 001 050 | BOLT M10X100 DIN 933 | 2 |
| 26 | BS 501 001 000 | NUT M10 DIN 934 | 2 |
| 27 | BS 511 001 042 | BOLT M10X50 DIN 931 | 4 |
| 28 | MPA 01 280 660 | REINFORCEMENT MOTOR PLATE | 1 |
| 29 | MPA 01 280 600 | FRONT PLATE HONDA ENGINE | 1 |
| 30 | BB 221 005 100 | POP PLUG STEEL 4.8X10 DIN 7337 A | 8 |
| 31 | MPA 01 280 630 | CONNECTION PIECE FLEXIBLE COUPLING | 1 |
| 32 | BS 522 100 820 | SCREW M8X20 DIN 7991 | 3 |
| 33 | MPA 01 070 260 | CONNECTING DISK FOR ELASTIC COUPLING | 1 |
| 34 | BS 534 000 800 | LOCK WASHER M8 DIN 6798A | 2 |
| 35 | BS 522 500 820 | SCREW M8X20 ISO 7380 | 2 |
| 36 | BA 201 232 000 | ELASTIC COUPLING ALU FLANGE (ENGINE SIDE) | 1 |
| 37 | BA 201 240 000 | ELASTIC COUPLING RUBBER FLECTOR | 1 |
| 38 | BA 201 220 101 | ELASTIC COUPLING ALU FLANGE (PUMP SIDE) | 1 |
| 39 | MPA 01 070 270 | ROTATION SPEED REFERENCE | 1 |
| 40 | BS 512 000 516 | BOLT M5X16 DIN 933 | 3 |
| 41 | BS 533 000 500 | LOCK WASHER M5 DIN 127B | 3 |
| 42 | BR 600 225 250 | ANTIVIBRATION BLOCKS 25X25B M6X14 | 4 |
| 43 | MPA 01 280 610 | SUPPORT BRACKET HYDRO-PUMP MOT. HONDA | 1 |
| 44 | BS 531 000 600 | WASHER M6 DIN 125 | 8 |
| 45 | BS 502 000 600 | SELF LOCKING NUT M6 DIN 985 | 4 |
| 46 | BB 221 104 120 | POP PLUG ALU 3.9X12 DIN 7337 A | 8 |
| 47 | BS 512 000 610 | BOLT M6X10 DIN 933 | 4 |
| 48 | BS 534 000 600 | LOCK WASHER M6 DIN 6798A | 4 |
| 49 | MPA 01 280 370 | COLLECTOR BOX FRESH AIR MOT. HONDA | 1 |
| 50 | MPA 01 280 820 | SUPPORT RUBBER | 2 |
| 51 | BR 900 001 400 | RUBBER ANTI PROJECTION FLAP | 1 |

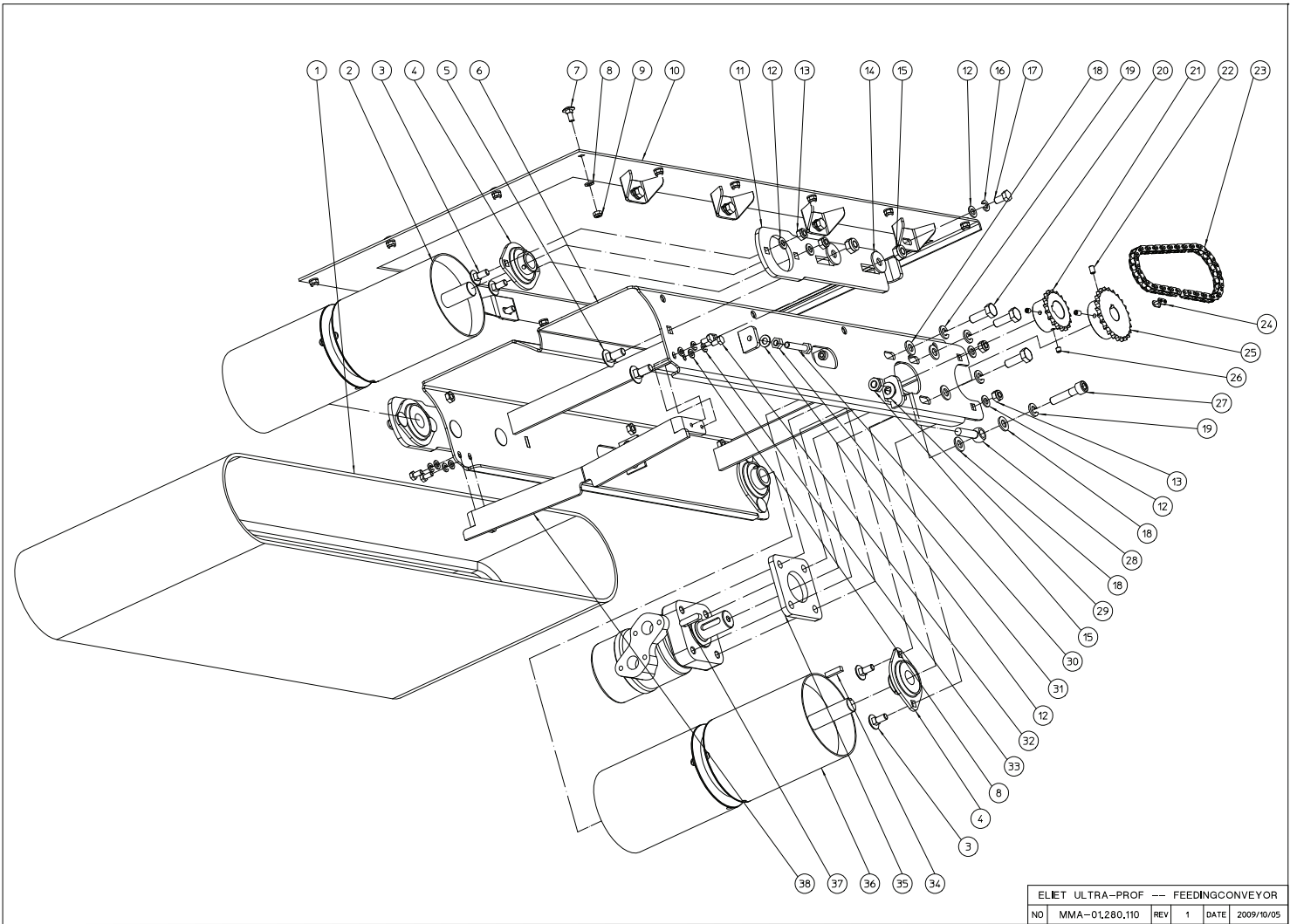
| | | | |
|----|----------------|-----------------------------|---|
| 52 | BR 900 001 390 | RUBBER ANTI PROJECTION FLAP | 1 |
| 53 | BR 910 000 060 | SENSOR ADAPTER | 1 |



| ELIET ULTRA-PROF -- ENGINE B&S | | | | |
|--------------------------------|----------------|-----|---|------------|
| NO | MMA-01.280.151 | REV | 1 | DATE |
| | | | | 2009/10/12 |

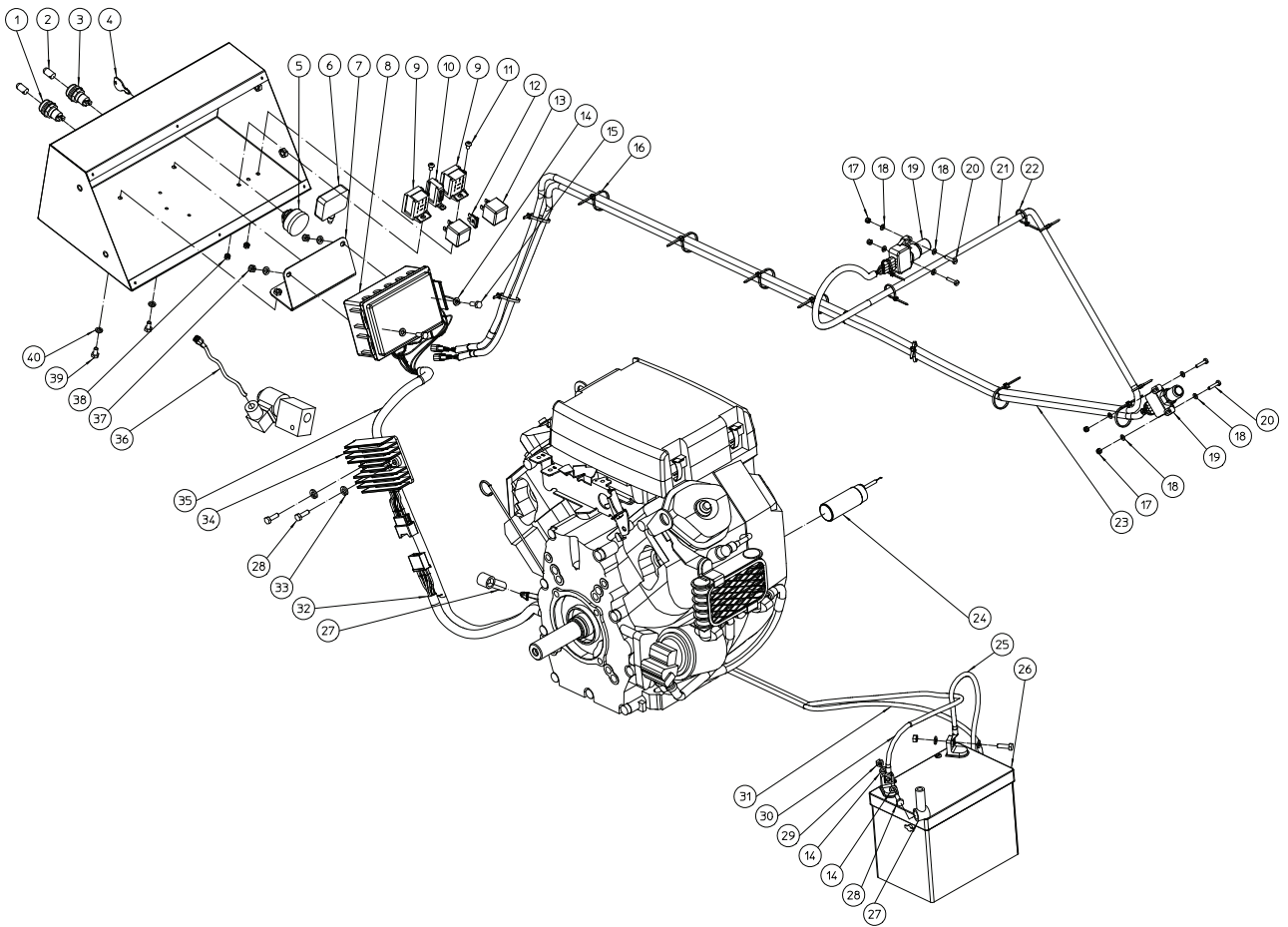
| # | Order nr | Description | # |
|----|----------------|---|----|
| 1 | BS 511 000 840 | BOLT M8X40 DIN 931 | 4 |
| 2 | BS 533 000 800 | LOCK WASHER M8 DIN 127B | 4 |
| 3 | BS 532 008 356 | WASHER M8X35X3 | 8 |
| 4 | MPA 01 280 546 | SPACER MUFFLER | 4 |
| 5 | BS 512 000 520 | BOLT M5X20 DIN 933 | 1 |
| 6 | MPA 01 280 780 | FLAP MUFFLER | 1 |
| 7 | BS 501 000 500 | NUT M5 DIN 934 | 2 |
| 8 | BM 261 300 601 | MUFFLER FINNKAT | 1 |
| 9 | BT 670 330 300 | EXHAUST PIPE CLAMP RT33 1.5 AWAB | 1 |
| 10 | BM 201 322 001 | B&S VANGUARD TWIN 22 HP | 1 |
| 11 | BQ 505 010 030 | STICKER MAX 3200 RPM 90X25 | 1 |
| 12 | BA 521 322 820 | BELT XPB 2280/2 | 1 |
| 13 | MPA 01 280 340 | CONNECTOR MUFFLER B&S | 1 |
| 14 | BS 531 000 800 | WASHER M8 DIN 125 | 6 |
| 15 | BS 501 000 800 | NUT M8 DIN 934 | 4 |
| 16 | BA 563 714 020 | PULLEY SPB II 140 FOR TAPER LOCK TL1610 | 1 |
| 17 | BB 501 251 600 | TAPER LOCK TL 2012-1" | 1 |
| 18 | BB 501 310 160 | SET SCREW 3/8"X5/8" | 2 |
| 19 | BB 342 060 657 | KEY 6.35X6.35X57 DIN 6880 | 1 |
| 20 | BS 502 001 000 | SELF LOCKING NUT M10 DIN 985 | 4 |
| 21 | BS 531 001 000 | WASHER M10 DIN 125 | 4 |
| 22 | BH 551 060 320 | FLEXIBLE HYDRAULIC HOSE 3/8"x320 | 1 |
| 23 | BT 174 150 600 | TERMINAL NUT 3/8" | 1 |
| 24 | BS 512 001 050 | BOLT M10X100 DIN 933 | 2 |
| 25 | BS 501 001 000 | NUT M10 DIN 934 | 2 |
| 26 | MPA 01 280 660 | REINFORCEMENT MOTOR PLATE | 1 |
| 27 | BS 511 001 042 | BOLT M10X50 DIN 931 | 4 |
| 28 | BS 532 005 202 | WASHER M5X20X1.5 | 8 |
| 29 | MPA 01 280 620 | FRONT PLATE B&S ENGINE | 1 |
| 30 | BB 221 005 120 | POP PLUG STEEL 4.8X12 DIN 7337 A | 4 |
| 31 | MPA 01 070 690 | CENTRING COUPLING | 1 |
| 32 | MPA 01 070 260 | CONNECTING DISK FOR ELASTIC COUPLING | 1 |
| 33 | BS 522 500 820 | SCREW M8X20 ISO 7380 | 2 |
| 34 | BA 201 232 000 | ELASTIC COUPLING ALU FLANGE (ENGINE SIDE) | 1 |
| 35 | BA 201 240 000 | ELASTIC COUPLING RUBBER FLECTOR | 1 |
| 36 | BA 201 220 101 | ELASTIC COUPLING ALU FLANGE (PUMP SIDE) | 1 |
| 37 | BR 600 225 201 | ANTIVIBRATION BLOCKS 25X20B M6X10 | 4 |
| 38 | MPA 01 070 270 | ROTATION SPEED REFERENCE | 1 |
| 39 | BB 221 005 100 | POP PLUG STEEL 4.8X10 DIN 7337 A | 4 |
| 40 | MPA 01 280 390 | SUPPORT PLATE PUMP B&S | 1 |
| 41 | BS 531 000 600 | WASHER M6 DIN 125 | 12 |
| 42 | BS 502 000 600 | SELF LOCKING NUT M6 DIN 985 | 4 |
| 43 | BS 512 000 516 | BOLT M5X16 DIN 933 | 3 |
| 44 | BS 533 000 500 | LOCK WASHER M5 DIN 127B | 3 |
| 45 | MPA 01 070 650 | SUPPORT BRACKET PUMP | 1 |
| 46 | BS 533 000 600 | LOCK WASHER M6 DIN 127B | 4 |
| 47 | BS 512 000 612 | BOLT M6X12 DIN 933 | 4 |
| 48 | BB 221 104 120 | POP PLUG ALU 3.9X12 DIN 7337 A | 8 |
| 49 | BS 512 000 610 | BOLT M6X10 DIN 933 | 4 |
| 50 | BS 534 000 600 | LOCK WASHER M6 DIN 6798A | 4 |
| 51 | MPA 01 280 360 | COLLECTOR BOX FRESH AIR MOT. B&S | 1 |

| | | | |
|----|----------------|-----------------------------|---|
| 52 | MPA 01 280 820 | SUPPORT RUBBER | 2 |
| 53 | BR 900 001 400 | RUBBER ANTI PROJECTION FLAP | 1 |
| 54 | BR 900 001 390 | RUBBER ANTI PROJECTION FLAP | 1 |
| 55 | BR 910 000 060 | SENSOR ADAPTER | 1 |



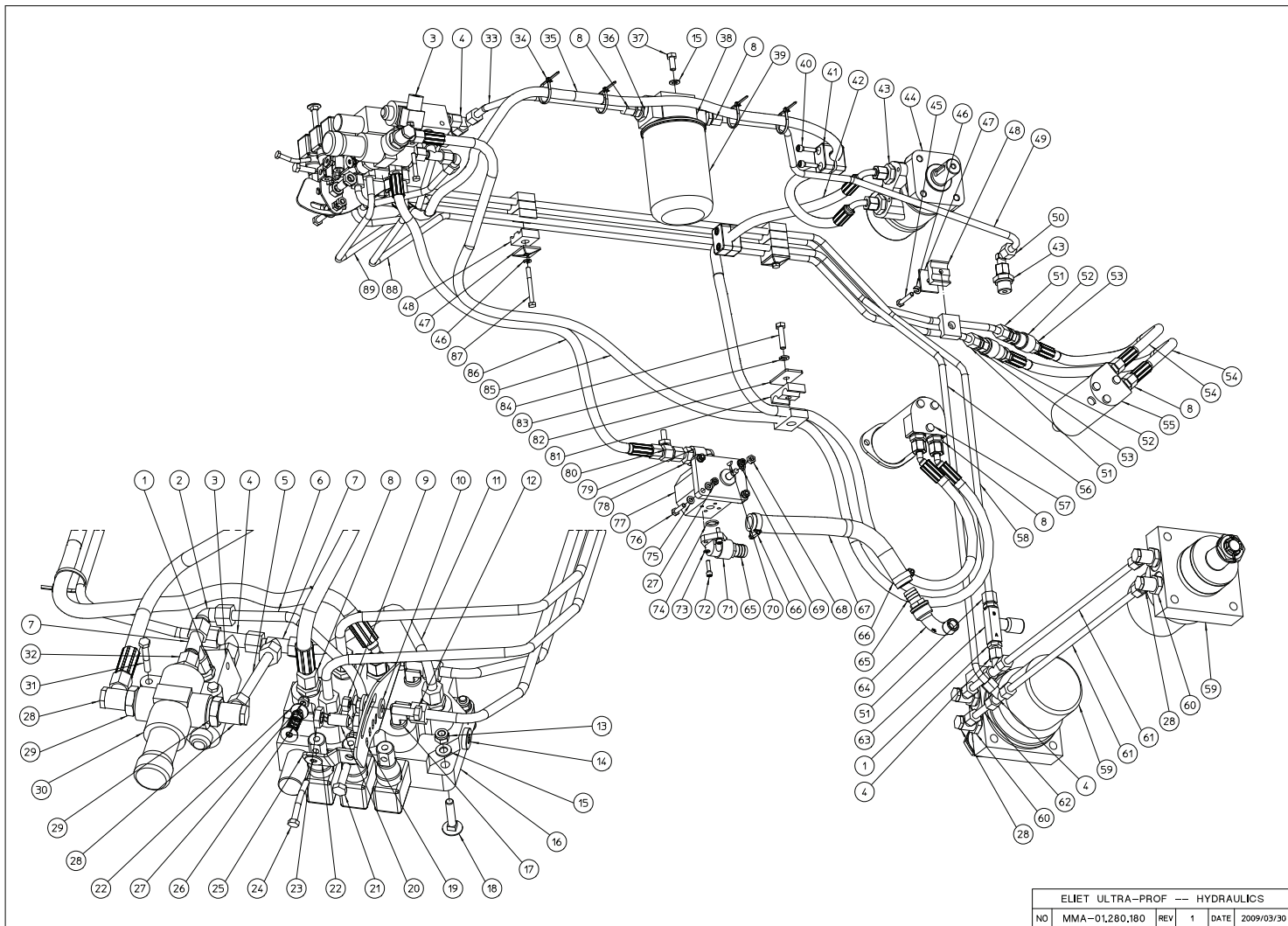
| ELIET ULTRA-PROF -- FEEDING CONVEYOR | | | | |
|--------------------------------------|----------------|-----|---|------------|
| NO | MMA-01.280.110 | REV | 1 | DATE |
| | | | | 2009/10/05 |

| # | Order nr | Description | # |
|----|----------------|--|----|
| 1 | BY 431 235 203 | CONVEYER ULTRA PROF | 1 |
| 2 | MPA 01 280 260 | LOOSE ROLLER | 1 |
| 3 | BS 554 100 820 | BOLT M8X20 DIN 603 | 8 |
| 4 | BL 801 102 001 | BEARING + FLANGES ASPFL 204 | 4 |
| 5 | BS 554 101 025 | BOLT M10X25 DIN603 | 4 |
| 6 | MPA 01 280 240 | CHASSIS CONVEYOR | 1 |
| 7 | BS 554 100 616 | BOLT M6X16 DIN 603 | 14 |
| 8 | BS 531 000 600 | WASHER M6 DIN 125 | 18 |
| 9 | BS 502 000 600 | SELF LOCKING NUT M6 DIN 985 | 14 |
| 10 | MPA 01 280 250 | SUPPORT CONVEYOR | 1 |
| 11 | MPA 01 280 650 | FIXATION LOOSE ROLLER | 2 |
| 12 | BS 531 000 800 | WASHER M8 DIN 125 | 18 |
| 13 | BS 502 000 800 | SELF LOCKING NUT M8 DIN 985 | 8 |
| 14 | BS 532 010 305 | WASHER M10X30X2.5 | 4 |
| 15 | BS 502 001 000 | SELF LOCKING NUT M10 DIN 985 | 5 |
| 16 | BS 533 000 800 | LOCK WASHER M8 DIN 127B | 8 |
| 17 | BS 512 000 816 | BOLT M8X16 DIN 933 | 8 |
| 18 | BS 531 001 000 | WASHER M10 DIN 125 | 5 |
| 19 | BS 533 001 000 | LOCK WASHER M10 DIN 127B | 4 |
| 20 | BS 512 001 030 | BOLT M10X30 DIN 933 | 3 |
| 21 | BA 161 018 251 | SPROCKET SIMPLEX 3/8"X7/32" 18T | 1 |
| 22 | BS 023 000 610 | SET SCREW M6X10 DIN 916 | 2 |
| 23 | BA 101 051 020 | CHAIN SIMPLEX 3/8"X7/32" 51L | 1 |
| 24 | BA 151 200 000 | CONNECTING CHAIN LINK SIMPLEX 3/8"X7/32" | 1 |
| 25 | BA 161 024 251 | SPROCKET SIMPLEX 3/8"X7/32" 25T | 1 |
| 26 | BS 023 000 606 | SET SCREW M6X6 DIN 916 | 2 |
| 27 | BS 521 101 041 | SCREW M10X45 DIN 912 | 1 |
| 28 | BS 551 101 042 | EYE BOLT M10X50 DIN 444 | 1 |
| 29 | BS 532 010 224 | WASHER M10X22X2 | 1 |
| 30 | BS 512 000 841 | BOLT M8X45 DIN 933 | 2 |
| 31 | BS 501 000 800 | NUT M8 DIN 934 | 2 |
| 32 | BS 512 000 612 | BOLT M6X12 DIN 933 | 4 |
| 33 | BS 533 000 600 | LOCK WASHER M6 DIN 127B | 4 |
| 34 | BB 341 060 625 | KEY 6.35X6.35X25 DIN 6880 | 1 |
| 35 | MPA 01 280 770 | SPACER MOTOR | 1 |
| 36 | MPA 01 280 270 | LOOSE ROLLER | 1 |
| 37 | BB 351 080 732 | KEY 8X7X32 DIN 6885A | 1 |
| 38 | MPA 01 280 640 | SCRAPER CONVEYOR | 1 |



| ELIET ULTRA-PROF --- ELECTRICS | | | | |
|--------------------------------|---------------|-----|---|-----------------|
| NO | MMA-01280,190 | REV | 1 | DATE 2009/10/05 |

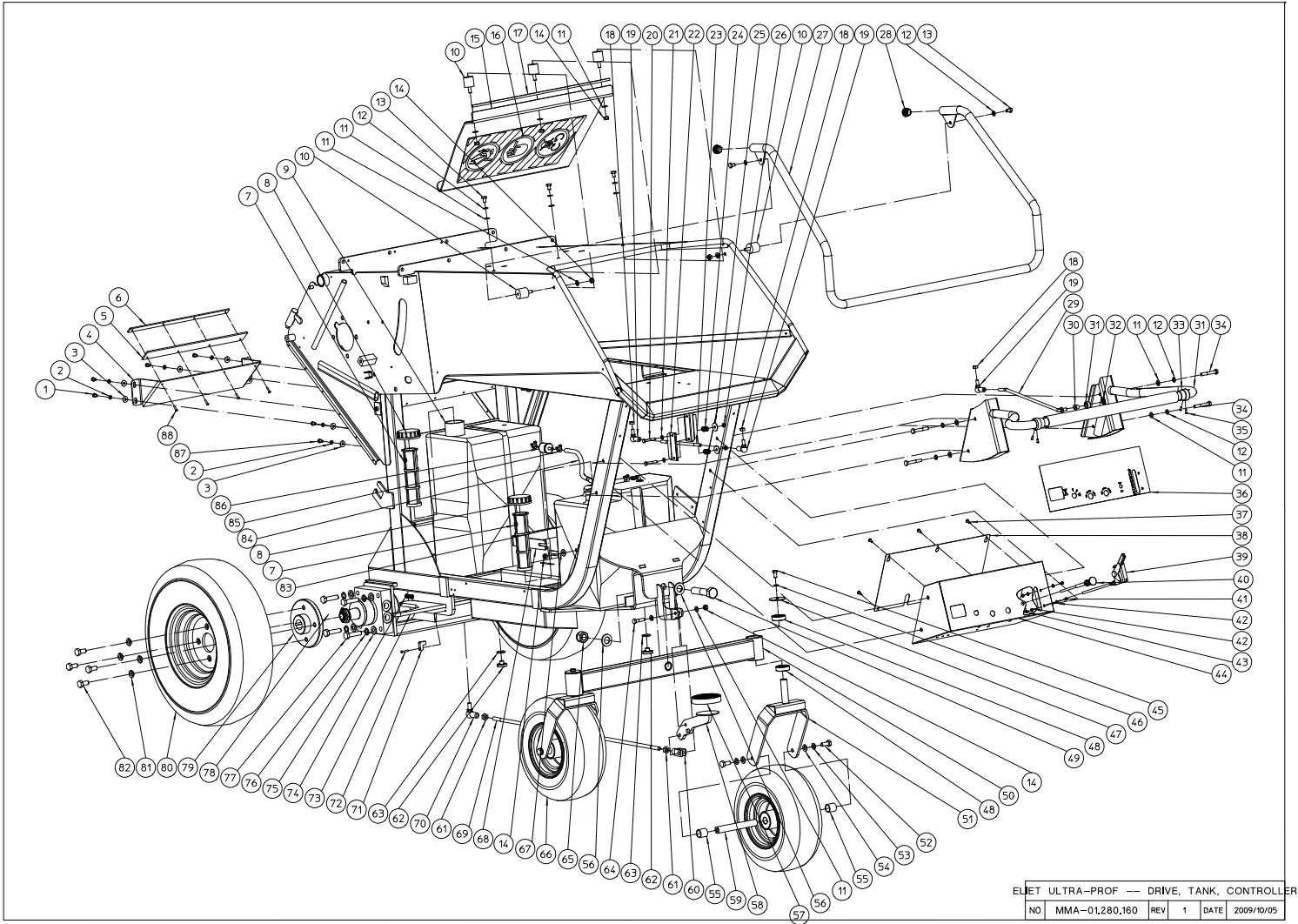
| # | Order nr | Description | # |
|----|----------------|---------------------------------------|---|
| 1 | BE 530 040 120 | GREEN LIGHT | 1 |
| 2 | BE 510 110 120 | LAMP 12V 2W | 2 |
| 3 | BE 530 030 120 | RED LIGHT | 1 |
| 4 | BM 260 691 959 | IGNITION KEY | 1 |
| 5 | BM 260 692 318 | IGNITION SWITCH | 1 |
| 6 | BE 412 730 400 | MAINTENANCE METER | 1 |
| 7 | MPA 01 280 430 | MOUNTING PIECE ELECTRIC BOX | 1 |
| 8 | BY 707 150 910 | ELECTRIC CASE BRITAX | 1 |
| 9 | BE 160 011 000 | RELAY BODY (9 POLES) | 2 |
| 10 | BE 160 010 000 | FUSE BODY | 1 |
| 11 | BS 522 500 508 | SCREW M5X8 ISO 7380 | 2 |
| 12 | BE 100 700 500 | MIDI-BLADE FUSE 5A | 1 |
| 13 | BE 160 012 000 | RELAY 12V | 2 |
| 14 | BS 531 000 600 | WASHER M6 DIN 125 | 8 |
| 15 | BS 512 000 616 | BOLT M6X16 DIN 933 | 2 |
| 16 | BE 043 010 140 | WRAP TIE 140X3.5 | 9 |
| 17 | BS 502 000 400 | SELF LOCKING NUT M4 DIN 985 | 4 |
| 18 | BS 531 000 400 | WASHER M4 DIN 125 | 8 |
| 19 | BE 120 030 020 | SAFETY SWITCH | 2 |
| 20 | BS 541 000 420 | SCREW M4X20 DIN 84 | 4 |
| 21 | BE 092 233 501 | CTMB WIRE 1,5MM ² - 3500MM | 1 |
| 22 | BE 043 010 100 | WRAP TIE 100X2.5 | 6 |
| 23 | BE 092 232 201 | CTMB WIRE 1,5MM ² - 2200MM | 1 |
| 24 | BE 400 010 000 | ABM SENSOR | 1 |
| 25 | BE 090 180 301 | BLACK WIRE 16MM ² - 300MM | 1 |
| 26 | BE 240 120 240 | BATTERY 12V 24AH | 1 |
| 27 | BR 701 010 150 | TERMINAL COVER | 2 |
| 28 | BS 512 000 620 | BOLT M6X20 DIN 933 | 4 |
| 29 | BS 501 000 600 | NUT M6 DIN 934 | 4 |
| 30 | BE 090 281 401 | RED WIRE 16MM ² - 1400MM | 1 |
| 31 | BE 090 181 551 | BLACK WIRE 16MM ² - 1550MM | 1 |
| 32 | BM 262 000 004 | ELECTRIC CONNECTOR HONDA GX 670 | 1 |
| 33 | BS 533 000 800 | LOCK WASHER M8 DIN 127B | 2 |
| 34 | BM 262 000 001 | REGULATOR HONDA GX 670 | 1 |
| 35 | BE 099 002 801 | ELECTRIC CONNECTOR ULTRA PROF | 1 |
| 36 | BE 092 020 501 | LIYY WIRE 1MM ² - 500MM | 1 |
| 37 | BS 502 000 600 | SELF LOCKING NUT M6 DIN 985 | 2 |
| 38 | BS 502 000 500 | SELF LOCKING NUT M5 DIN 985 | 2 |
| 39 | BS 512 000 612 | BOLT M6X12 DIN 933 | 2 |
| 40 | BS 534 000 600 | LOCK WASHER M6 DIN 6798A | 2 |



| ELIET ULTRA-PROF -- HYDRAULICS | | | | |
|--------------------------------|----------------|-----|---|-----------------|
| NO | MMA-01,280,180 | REV | 1 | DATE 2009/03/30 |

| # | Order nr | Description | # |
|----|----------------|---------------------------------------|----|
| 1 | BH 512 611 004 | STANDPIPE ADAPTOR 10Lx1/4" | 3 |
| 2 | BH 511 911 000 | ANGULAR ROTARY FITTING 10L | 1 |
| 3 | BH 410 001 000 | SOLENOID VALVE 2/2 NC 1/4" | 1 |
| 4 | BH 510 011 000 | EQUAL TEE 10L | 3 |
| 5 | MPA 01 281 460 | HYDRAULIC PIPE | 1 |
| 6 | MPA 01 281 450 | HYDRAULIC PIPE | 1 |
| 7 | BH 512 111 000 | ROTARY L-FITTING FEMALE 10L | 2 |
| 8 | BH 509 211 006 | MALE STUD COUPLING 10Lx3/8" | 12 |
| 9 | BS 501 000 800 | NUT M8 DIN 934 | 1 |
| 10 | BS 532 008 254 | WASHER M8X25X2 | 1 |
| 11 | MPA 01 281 440 | HYDRAULIC PIPE | 1 |
| 12 | BS 512 000 825 | BOLT M8X25 DIN 933 | 1 |
| 13 | BS 502 000 800 | SELF LOCKING NUT M8 DIN 985 | 4 |
| 14 | BH 518 500 600 | BLANKING PLUG 3/8" | 2 |
| 15 | BS 531 000 800 | WASHER M8 DIN 125 | 5 |
| 16 | BH 400 211 310 | HYDRAULIC VALVE HDM 11S/3 XZA | 1 |
| 17 | BH 509 411 006 | STUD ELBOWS 10Lx3/8" | 2 |
| 18 | BS 554 100 840 | BOLT M8X40 DIN 603 | 3 |
| 19 | MPA 01 260 910 | SHIFT POSITION GRID | 1 |
| 20 | BS 051 601 222 | SCREW WITH LOCKBULLET | 1 |
| 21 | BS 512 000 830 | BOLT M8X30 DIN 933 | 1 |
| 22 | BS 532 006 183 | WASHER M6X18X1.5 | 3 |
| 23 | BS 501 901 200 | NUT M12 DIN 439 | 1 |
| 24 | MPA 01 261 130 | BENDED BOLT M6X55 DIN 931 | 1 |
| 25 | MPA 01 260 450 | POSITION SELECTOR | 1 |
| 26 | BV 001 012 035 | SPRING 1X12X35 | 1 |
| 27 | BS 502 000 600 | SELF LOCKING NUT M6 DIN 985 | 7 |
| 28 | BH 513 111 004 | BANJO 10Lx1/4" | 6 |
| 29 | BH 505 722 040 | MALE STUD COUPLING (M-F) M22-1/4" BSP | 2 |
| 30 | BH 430 012 200 | SPEED CONTROLLER MTKAVAR | 1 |
| 31 | BS 511 000 640 | BOLT M6X40 DIN 931 | 2 |
| 32 | BH 509 221 022 | MALE STUD COUPLING 10LxM22 | 1 |
| 33 | MPA 01 281 470 | HYDRAULIC PIPE | 1 |
| 34 | BE 043 010 140 | WRAP TIE 140X3.5 | 4 |
| 35 | BH 551 051 400 | FLEXIBLE HYDRAULIC HOSE 5/16"x1400 | 1 |
| 36 | BH 514 101 206 | REDUCTION STUD (M-F) 3/4"-3/8" | 2 |
| 37 | BS 512 000 820 | BOLT M8X20 DIN 933 | 2 |
| 38 | BH 280 312 121 | OIL FILTER BASE (RETURN) | 1 |
| 39 | BH 280 212 000 | OIL FILTER (RETURN) | 0 |
| 40 | BS 521 100 625 | SCREW M6X25 DIN 912 | 4 |
| 41 | BH 711 610 100 | PIPE CLAMP A-16MM | 4 |
| 42 | BH 551 051 550 | FLEXIBLE HYDRAULIC HOSE 5/16"x1550 | 1 |
| 43 | BH 509 211 008 | MALE STUD COUPLING 10Lx1/2" | 3 |
| 44 | BH 330 412 502 | HYDRAULIC ENGINE OMPN 125CC | 1 |
| 45 | BS 512 000 635 | BOLT M6X35 DIN 933 | 1 |
| 46 | BS 533 000 600 | LOCK WASHER M6 DIN 127B | 3 |
| 47 | BH 710 003 010 | CLAMP BASE - A | 3 |
| 48 | BH 711 020 100 | PIPE CLAMP B-10MM | 10 |
| 49 | MPA 01 281 480 | HYDRAULIC PIPE | 1 |
| 50 | BH 509 911 000 | EQUAL ELBOW 12L | 1 |
| 51 | BH 509 211 004 | MALE STUD COUPLING 10Lx1/4" | 3 |

| | | | |
|----|----------------|--------------------------------------|---|
| 52 | BH 562 104 000 | QUICK-RELEASE COUPLING 1/4" (FEMALE) | 2 |
| 53 | BH 561 104 000 | QUICK-RELEASE COUPLING 1/4" (MALE) | 2 |
| 54 | BH 551 050 400 | FLEXIBLE HYDRAULIC HOSE 5/16"x400 | 2 |
| 55 | BH 330 205 000 | HYDRAULIC ENGINE OMM 50CC | 1 |
| 56 | MPA 01 281 410 | HYDRAULIC PIPE | 1 |
| 57 | BH 331 205 000 | HYDRAULIC ENGINE EPMM 50CC | 1 |
| 58 | MPA 01 281 400 | HYDRAULIC PIPE | 1 |
| 59 | BH 330 516 002 | HYDRAULIC ENGINE OMRW 160CC | 2 |
| 60 | BH 514 100 804 | REDUCTION STUD (M-F) 1/2"-1/4" | 4 |
| 61 | MPA 01 281 500 | HYDRAULIC PIPE | 2 |
| 62 | MPA 01 281 490 | HYDRAULIC PIPE | 2 |
| 63 | BH 430 110 400 | FLOW CONTROL VALVE 1/4" | 1 |
| 64 | BT 174 190 808 | ELBOW 90° MALE/FEMALE 1/2"X1/2" | 1 |
| 65 | BT 136 260 820 | INSERT CONNECTOR FOR HOSE 20X1/2 | 2 |
| 66 | BT 670 117 290 | HOSE CLAMP 17X29MM | 2 |
| 67 | BR 200 219 030 | SUCKING HOSE 19X300MM | 1 |
| 68 | BS 501 000 700 | NUT M7 DIN 934 | 1 |
| 69 | BS 533 367 110 | SAFETY WASHER | 1 |
| 70 | BB 321 020 512 | KEY 2X5X12.65 DIN 6888 | 1 |
| 71 | BH 281 001 200 | ELBOW COUPLING 30MM 1/2" | 1 |
| 72 | BS 521 100 520 | SCREW M5X20 DIN 912 | 6 |
| 73 | BS 533 000 500 | LOCK WASHER M5 DIN 127B | 6 |
| 74 | BH 802 015 250 | O-RING Ø15 x 2,5 | 2 |
| 75 | BS 531 000 600 | WASHER M6 DIN 125 | 8 |
| 76 | BS 512 000 625 | BOLT M6X25 DIN 933 | 4 |
| 77 | BH 210 104 901 | HYDRAULIC PUMP GR2 - 4,9CC | 1 |
| 78 | BH 512 631 006 | STANDPIPE ADAPTOR 10Sx3/8" | 1 |
| 79 | BH 281 001 100 | ELBOW COUPLING 30MM 3/8" | 1 |
| 80 | BH 563 000 100 | MANOMETER COUPLER 10LxM16x2 | 1 |
| 81 | BH 711 620 100 | PIPE CLAMP B-16MM | 2 |
| 82 | BH 710 003 020 | CLAMP BASE - B | 1 |
| 83 | BS 533 000 800 | LOCK WASHER M8 DIN 127B | 1 |
| 84 | BS 512 000 835 | BOLT M8X35 DIN 933 | 1 |
| 85 | BH 551 051 640 | FLEXIBLE HYDRAULIC HOSE 5/16"x1640 | 1 |
| 86 | BH 551 050 870 | FLEXIBLE HYDRAULIC HOSE 5/16"x870 | 1 |
| 87 | BS 511 000 644 | BOLT M6X60 DIN 931 | 2 |
| 88 | MPA 01 281 420 | HYDRAULIC PIPE | 1 |
| 89 | MPA 01 281 430 | HYDRAULIC PIPE | 1 |



ELJET ULTRA-PROF -- DRIVE, TANK, CONTROLLER
 NO MMA-01,280,160 REV 1 DATE 2009/10/05

| # | Order nr | Description | # |
|----|----------------|--|----|
| 1 | BS 512 000 610 | BOLT M6X10 DIN 933 | 4 |
| 2 | BS 534 000 600 | LOCK WASHER M6 DIN 6798A | 6 |
| 3 | BS 532 006 183 | WASHER M6X18X1.5 | 6 |
| 4 | MPA 01 280 670 | OUTPUT DEFLECTOR | 1 |
| 5 | BR 900 001 350 | RUBBER ANTI PROJECTION FLAP | 1 |
| 6 | MPA 01 280 680 | FIXATION PROFILE RUBBER | 1 |
| 7 | BY 100 700 100 | BASKET SPILA | 2 |
| 8 | BH 720 503 040 | CAP FOR TANK | 2 |
| 9 | BY 717 203 030 | TANK 30 LITRE | 1 |
| 10 | BR 600 130 301 | ANTIVIBRATION BLOCKS 30X30B M8X16 | 5 |
| 11 | BS 531 000 800 | WASHER M8 DIN 125 | 16 |
| 12 | BS 534 000 800 | LOCK WASHER M8 DIN 6798A | 9 |
| 13 | BS 512 000 812 | BOLT M8X12 DIN 933 | 5 |
| 14 | BS 502 000 800 | SELF LOCKING NUT M8 DIN 985 | 8 |
| 15 | MPA 01 280 540 | PROTECTION PLATE INTERIOR | 1 |
| 16 | BQ 505 010 100 | SAFETY STICKER 465X200 (SHIELD) | 1 |
| 17 | BR 000 910 530 | RUBBER U-MOULDING 530MM | 1 |
| 18 | BS 501 000 800 | NUT M8 DIN 934 | 3 |
| 19 | BA 230 010 800 | BALL JOINT M8 | 3 |
| 20 | BS 511 000 640 | BOLT M6X40 DIN 931 | 2 |
| 21 | BS 531 000 600 | WASHER M6 DIN 125 | 2 |
| 22 | MPA 01 280 760 | CONTROL BRAKE | 1 |
| 23 | MPA 01 280 750 | ROD IN FEED CONTROL | 1 |
| 24 | BV 911 000 010 | SPRING 14X2X16 | 2 |
| 25 | BS 532 006 253 | WASHER M6X25X1.5 | 2 |
| 26 | BS 502 000 600 | SELF LOCKING NUT M6 DIN 985 | 2 |
| 27 | MPA 01 280 050 | PUSH BRACKET IN FEED ROLLER | 1 |
| 28 | BR 020 501 250 | TUBE CAP Ø 25MM | 2 |
| 29 | MPA 01 280 380 | LINK ROD TRACTION CONTROL | 1 |
| 30 | BR 112 081 300 | NYLON BUSHING WITH COLLAR (8/11/16x13/2) | 1 |
| 31 | MPA 01 280 070 | PUSH BRACKET | 1 |
| 32 | BB 011 000 080 | STARLOCK 8MM | 1 |
| 33 | BR 910 000 010 | NYLON BUSHING WITH COLLAR (25/30/34x30/15) | 2 |
| 34 | BS 511 000 843 | BOLT M8X55 DIN 931 | 4 |
| 35 | BB 221 104 100 | POP PLUG ALU 3.9X10 DIN 7337 A | 4 |
| 36 | BQ 501 200 140 | STICKER DASHBOARD ULTRA PROF | 1 |
| 37 | BS 549 014 813 | SCREW Ø4.8X13 DIN 7981 | 6 |
| 38 | MPA 01 280 740 | COVER CONTROL PANEL | 1 |
| 39 | BM 260 692 541 | THROTTLE CONTROL | 1 |
| 40 | BK 181 151 060 | CHOKE CONTROL | 1 |
| 41 | BS 541 000 410 | SCREW M4X10 DIN 84 | 2 |
| 42 | BS 531 000 400 | WASHER M4 DIN 125 | 4 |
| 43 | BS 502 000 400 | SELF LOCKING NUT M4 DIN 985 | 2 |
| 44 | MPA 01 280 140 | CONTROL PANEL | 1 |
| 45 | BS 512 000 816 | BOLT M8X16 DIN 933 | 2 |
| 46 | BS 533 000 800 | LOCK WASHER M8 DIN 127B | 2 |
| 47 | MPA 01 280 690 | WASHER | 2 |
| 48 | BL 002 004 203 | BEARING 6004 ZZ | 4 |
| 49 | BS 511 002 049 | BOLT M20X90 DIN 931 | 1 |
| 50 | MPA 01 280 130 | RIGHT SIDE LONG CONVEYOR | 1 |
| 51 | MPA 01 280 300 | WHEEL FORK | 2 |

| | | | |
|----|----------------|-----------------------------------|---|
| 52 | BS 512 001 025 | BOLT M10X25 DIN 933 | 4 |
| 53 | BS 533 001 000 | LOCK WASHER M10 DIN 127B | 4 |
| 54 | BS 531 001 000 | WASHER M10 DIN 125 | 4 |
| 55 | MPA 01 240 470 | WHEEL SPACER | 4 |
| 56 | BS 531 002 000 | WASHER M20 DIN 125 | 2 |
| 57 | BR 900 000 110 | RUBBER SOCKS DIA 90X18MM | 1 |
| 58 | MPA 01 070 130 | BRAKE PEDAL | 1 |
| 59 | MPA 01 240 460 | WHEEL SHAFT | 2 |
| 60 | BS 556 001 000 | FORK M10X20 DIN 71752 | 1 |
| 61 | BS 501 001 000 | NUT M10 DIN 934 | 2 |
| 62 | BS 158 201 201 | BLANKING PLUG M12 | 2 |
| 63 | BH 802 020 350 | O-RING Ø20 x 3.5 | 2 |
| 64 | BS 511 000 835 | BOLT M8X35 DIN 931 | 1 |
| 65 | BS 502 002 000 | SELF LOCKING NUT M20 DIN 985 | 1 |
| 66 | BW 031 020 000 | WHEEL 4.50-6 | 2 |
| 67 | BS 532 008 254 | WASHER M8X25X2 | 2 |
| 68 | MPA 01 280 700 | TANK SUPPORT | 1 |
| 69 | MPA 01 280 710 | BRAKE ROD | 1 |
| 70 | BA 230 011 000 | BALL JOINT M10 DIN 71802 | 1 |
| 71 | BR 910 000 050 | NYLON TOUCH BLOCK | 2 |
| 72 | BB 221 004 250 | POP PLUG STEEL 3.9X25 DIN 7337 A | 2 |
| 73 | MPA 01 280 510 | BRAKE | 1 |
| 74 | BV 907 000 020 | SPRING 10X1X60 | 2 |
| 75 | BS 531 001 200 | WASHER M12 DIN 125 | 8 |
| 76 | BS 534 001 200 | LOCK WASHER M12 DIN 6798A | 8 |
| 77 | BS 512 001 242 | BOLT M12X50 DIN 933 | 8 |
| 78 | BB 341 060 620 | KEY 6X6X20 DIN 6880 | 2 |
| 79 | BA 281 504 504 | HUB REAR WHEEL M12X1.5 TAPER BORE | 2 |
| 80 | BW 054 060 000 | REAR WHEEL 6,00-9 6PR | 2 |
| 81 | BS 535 301 210 | LOCK CUP WASHER M12 DIN 74361 | 8 |
| 82 | BS 512 301 225 | BOLT M12X1.5X25 DIN 961 | 8 |
| 83 | BY 717 203 020 | TANK 20 LITRE | 1 |
| 84 | BR 202 007 080 | DIESEL LINE 800MM | 1 |
| 85 | BT 670 111 130 | HOSE CLAMP 11X13MM | 3 |
| 86 | BM 260 493 629 | FUEL FILTER | 1 |
| 87 | BS 512 000 612 | BOLT M6X12 DIN 933 | 2 |
| 88 | BB 221 104 160 | POP PLUG ALU 3.9X16 DIN 7337 A | 4 |

| # | Order nr | Description | # |
|----|----------------|---|----|
| 1 | BR 001 432 540 | PVC EDGE TRIM LG 2540MM | 1 |
| 2 | MPA 01 280 290 | COVER LEFT | 1 |
| 3 | BN 230 300 100 | GRIP | 2 |
| 4 | BS 502 000 800 | SELF LOCKING NUT M8 DIN 985 | 18 |
| 5 | BS 531 000 800 | WASHER M8 DIN 125 | 20 |
| 6 | BS 521 100 820 | SCREW M8X20 DIN 912 | 4 |
| 7 | MPA 01 280 210 | FIXATION COVER | 1 |
| 8 | BR 112 101 500 | NYLON BUSHING WITH COLLAR (10/13/18x15/2) | 16 |
| 9 | MPA 01 280 180 | BIG HINGE | 2 |
| 10 | MPA 01 280 160 | LITTLE HINGE LEFT | 1 |
| 11 | BS 511 000 843 | BOLT M8X55 DIN 931 | 2 |
| 12 | MPA 01 280 190 | FIXATION COVER | 1 |
| 13 | MPA 01 280 546 | SPACER MUFFLER | 2 |
| 14 | BS 558 100 823 | LIFTING EYE NUT M8 AS 30 | 4 |
| 15 | BV 521 005 002 | GAS STRUTS 1200N X 50MM | 2 |
| 16 | MPA 01 280 220 | FIXATION COVER | 1 |
| 17 | MPA 01 280 170 | LITTLE HINGE RIGHT | 1 |
| 18 | MPA 01 280 200 | FIXATION COVER AND SAFETY CONTACT | 1 |
| 19 | BR 001 432 400 | PVC EDGE TRIM LG 2400MM | 1 |
| 20 | MPA 01 280 280 | COVER RIGHT | 1 |
| 21 | BQ 501 200 100 | DECORATIVE STICKER ULTRA PROF 54CM (D) | 1 |
| 22 | BQ 501 200 040 | DECORATIVE STICKER ULTRA PROF 65CM (D) | 1 |
| 23 | BQ 501 200 120 | DECORATIVE STICKER ULTRA PROF 170CM (D) | 1 |
| 24 | BQ 501 200 060 | DECORATIVE STICKER ULTRA PROF 28CM (D) | 1 |
| 25 | BQ 501 200 080 | DECORATIVE STICKER ULTRA PROF 18CM (D) | 1 |
| 26 | BQ 505 010 330 | SAFETY STICKER 60X60 (BONNET CATCH) | 2 |
| 27 | BQ 505 010 340 | SAFETY STICKER 60X60 (KEEP CLEAR) | 2 |
| 28 | BS 512 000 612 | BOLT M6X12 DIN 933 | 12 |
| 29 | BS 534 000 600 | LOCK WASHER M6 DIN 6798A | 8 |
| 30 | BS 531 000 600 | WASHER M6 DIN 125 | 16 |
| 31 | MPA 01 280 230 | HINGE SHAFT | 4 |
| 32 | MPA 01 280 500 | COVER BACK | 1 |
| 33 | BQ 501 010 030 | STICKER ELIET 200X90 | 1 |
| 34 | BS 512 000 508 | BOLT M5X8 DIN 933 | 6 |
| 35 | BS 512 000 516 | BOLT M5X16 DIN 933 | 4 |
| 36 | BS 531 000 500 | WASHER M5 DIN 125 | 14 |
| 37 | BO 230 010 660 | LATCH | 2 |
| 38 | BS 502 000 500 | SELF LOCKING NUT M5 DIN 985 | 4 |
| 39 | BQ 505 010 060 | SAFETY STICKER 28X38 (HOT) | 1 |
| 40 | BQ 501 200 020 | STICKER ELIET ULTRA PROF (R) | 1 |
| 41 | BQ 501 200 160 | STICKER IN FEED ROLLER CONTROL ULTRA PROF (R) | 1 |
| 42 | BQ 501 060 090 | STICKER HOOK ATTACHMENT | 2 |
| 43 | BQ 505 010 110 | SAFETY STICKER 190X125 (IN FEED) | 1 |
| 44 | MPA 01 280 010 | CHASSIS ULTRA PROF | 1 |
| 45 | BS 533 000 600 | LOCK WASHER M6 DIN 127B | 8 |
| 46 | BQ 501 190 060 | SPEEDCONTROLLER IN FEED | 1 |
| 47 | BQ 501 010 040 | STICKER ELIET 270X115 | 1 |
| 48 | MPA 01 280 730 | COVER FRONT BOTTOM | 1 |
| 49 | BQ 505 010 171 | SAFETY STICKER 70X115 (PICTOGRAM) | 1 |
| 50 | MPA 01 280 720 | COVER FRONT TOP | 1 |
| 51 | BS 512 000 610 | BOLT M6X10 DIN 933 | 4 |

| | | | |
|----|----------------|---|---|
| 52 | BQ 505 010 010 | IDENTITY STICKER CE 120X30 | 1 |
| 53 | BQ 505 112 116 | STICKER SOUND LEVEL 116 dB | 1 |
| 54 | BQ 501 200 150 | STICKER IN FEED ROLLER CONTROL ULTRA PROF (L) | 1 |
| 55 | BQ 501 200 010 | STICKER ELIET ULTRA PROF (L) | 1 |
| 56 | BQ 505 010 160 | SAFETY STICKER BOLTS CONTROL 160X60 | 1 |
| 57 | BQ 501 200 070 | DECORATIVE STICKER ULTRA PROF 18CM (L) | 1 |
| 58 | BQ 501 200 050 | DECORATIVE STICKER ULTRA PROF 28CM (L) | 1 |
| 59 | BQ 501 200 110 | DECORATIVE STICKER ULTRA PROF 170CM (L) | 1 |
| 60 | BQ 501 200 030 | DECORATIVE STICKER ULTRA PROF 65CM (L) | 1 |
| 61 | BQ 501 200 090 | DECORATIVE STICKER ULTRA PROF 54CM (L) | 1 |